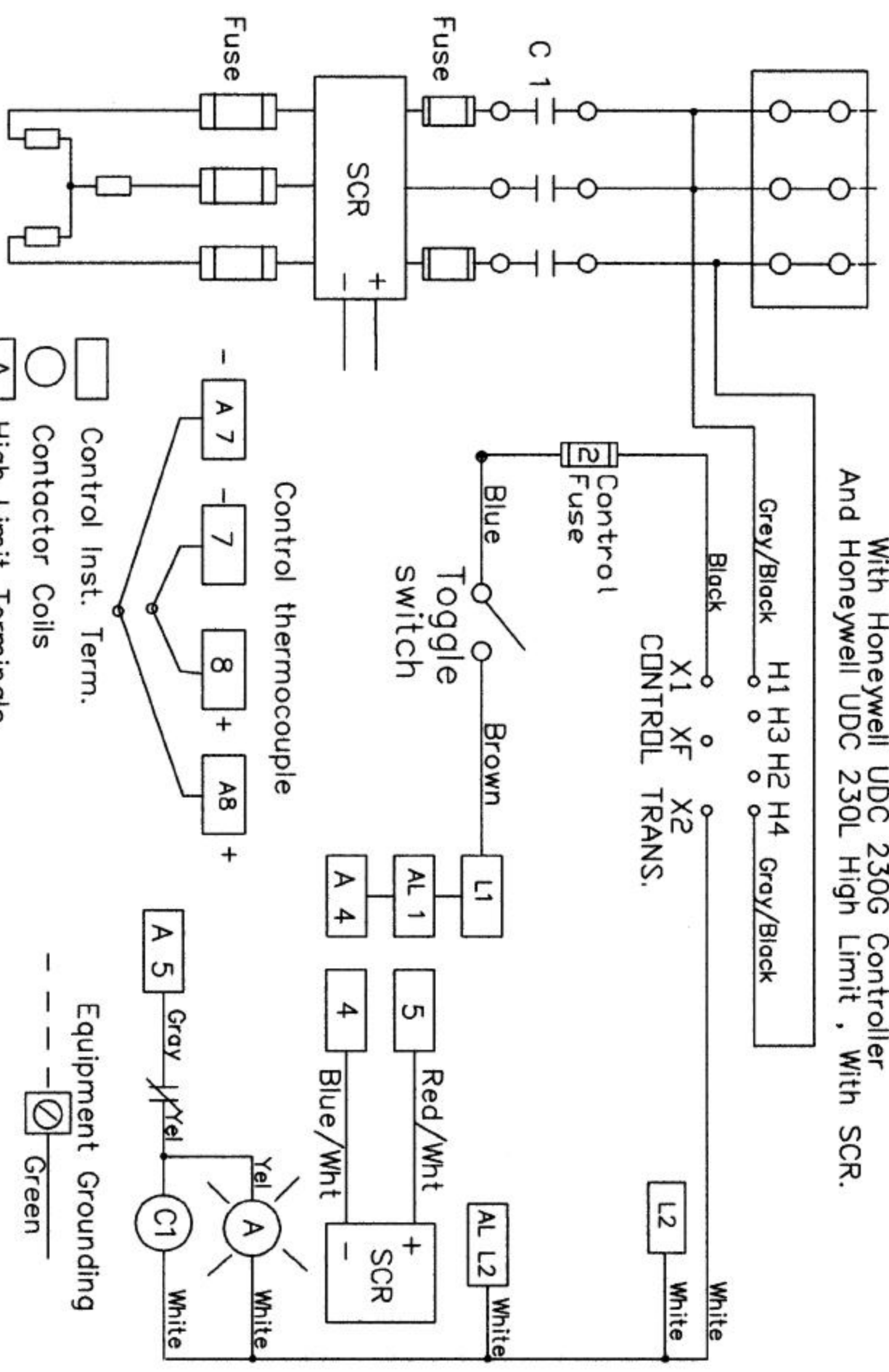


240/480v - 3 Ph., 60 Hz.

HTE 1212, HTE-1414

With Honeywell UDC 230G Controller
And Honeywell UDC 230L High Limit, With SCR.



Heating Elements

- Control Inst. Term.
- Contactor Coils
- A High Limit Terminals
- R Holding Relay
- A Heaters On Light

Control thermocouple

Equipment Grounding
--- Green

HTE-1212, HTE-1414 Wiring Diagram
240/480 volt - 3 phase
M I F C O
ED0080
4/11/2002