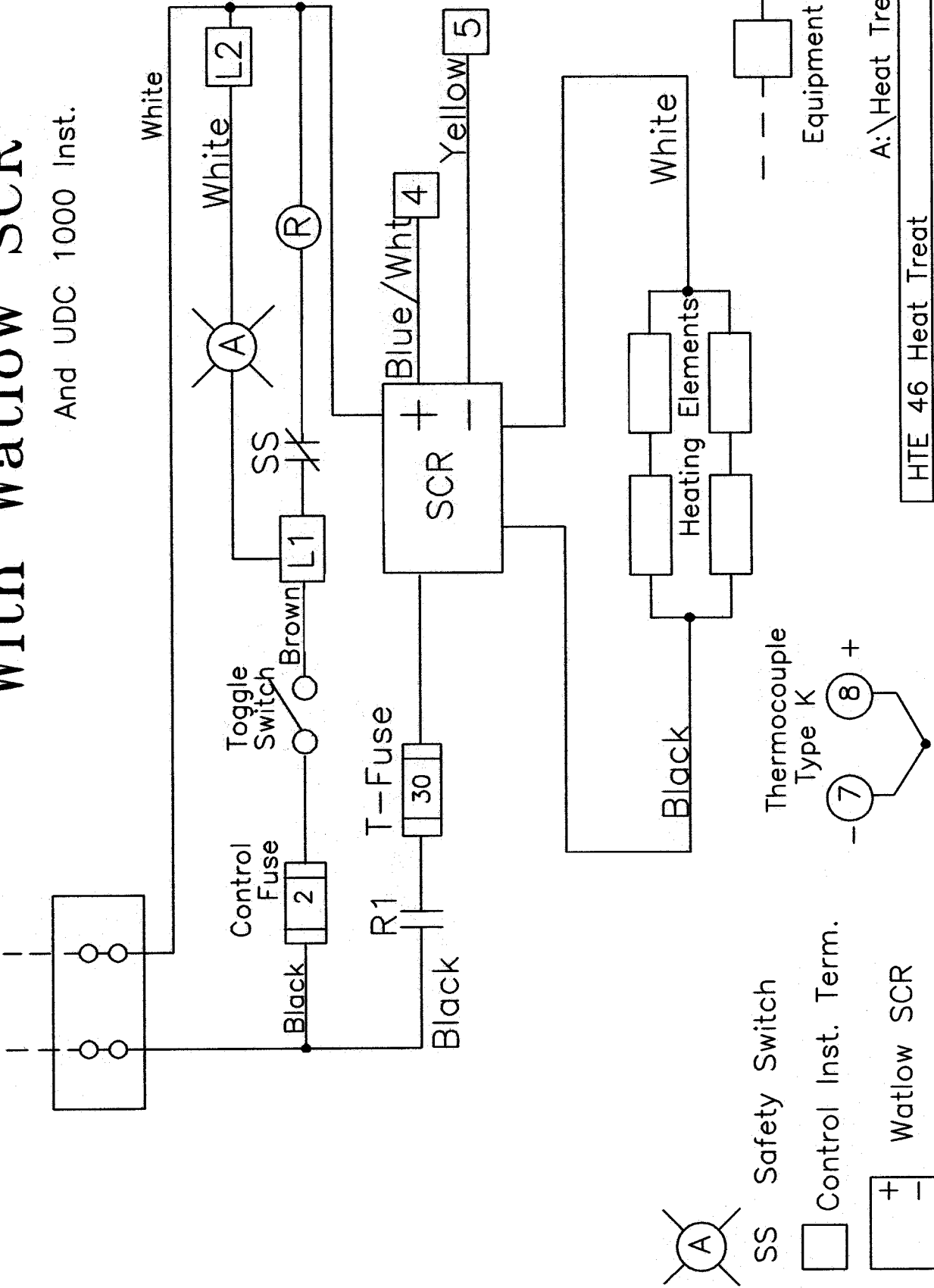


HTE 46 Electric Heat Treat With Watlow SCR

Power Supply
115 V - 60 Hz - 1 Ph

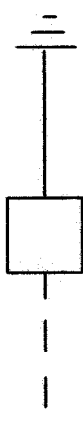
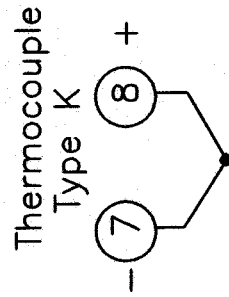
And UDC 1000 Inst.



SS Safety Switch

Control Inst. Term.

Watlow SCR



A:\Heat Treat\ED0029

HTE 46 Heat Treat
Wiring Diagram With Honeywell Control Inst.
& SCR
McEnglevar Ind. Furnace Co. Inc. 2/14/97

Heating Panels By Watlow