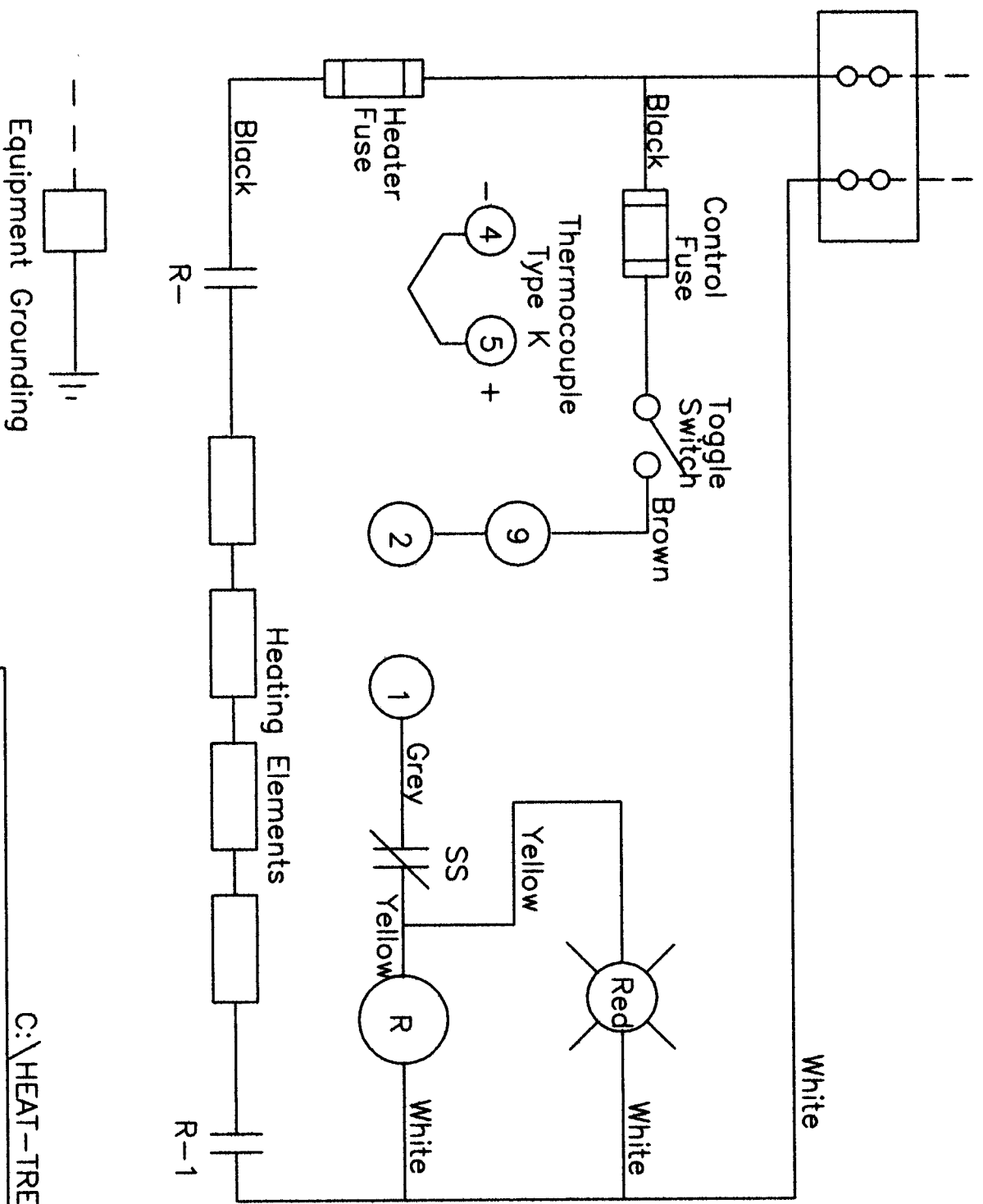


Power Supply 115 V - 60 Hz - **HTE 46 Heat Treat Furnace**



C:\HEAT-TRE\ED0027
 HTE 46 Heat Treat Furnace
 Wiring Diagram With Honeywell Control Inst.
 McEnglevan Ind. Furnace Co. Rev. 7/19/96