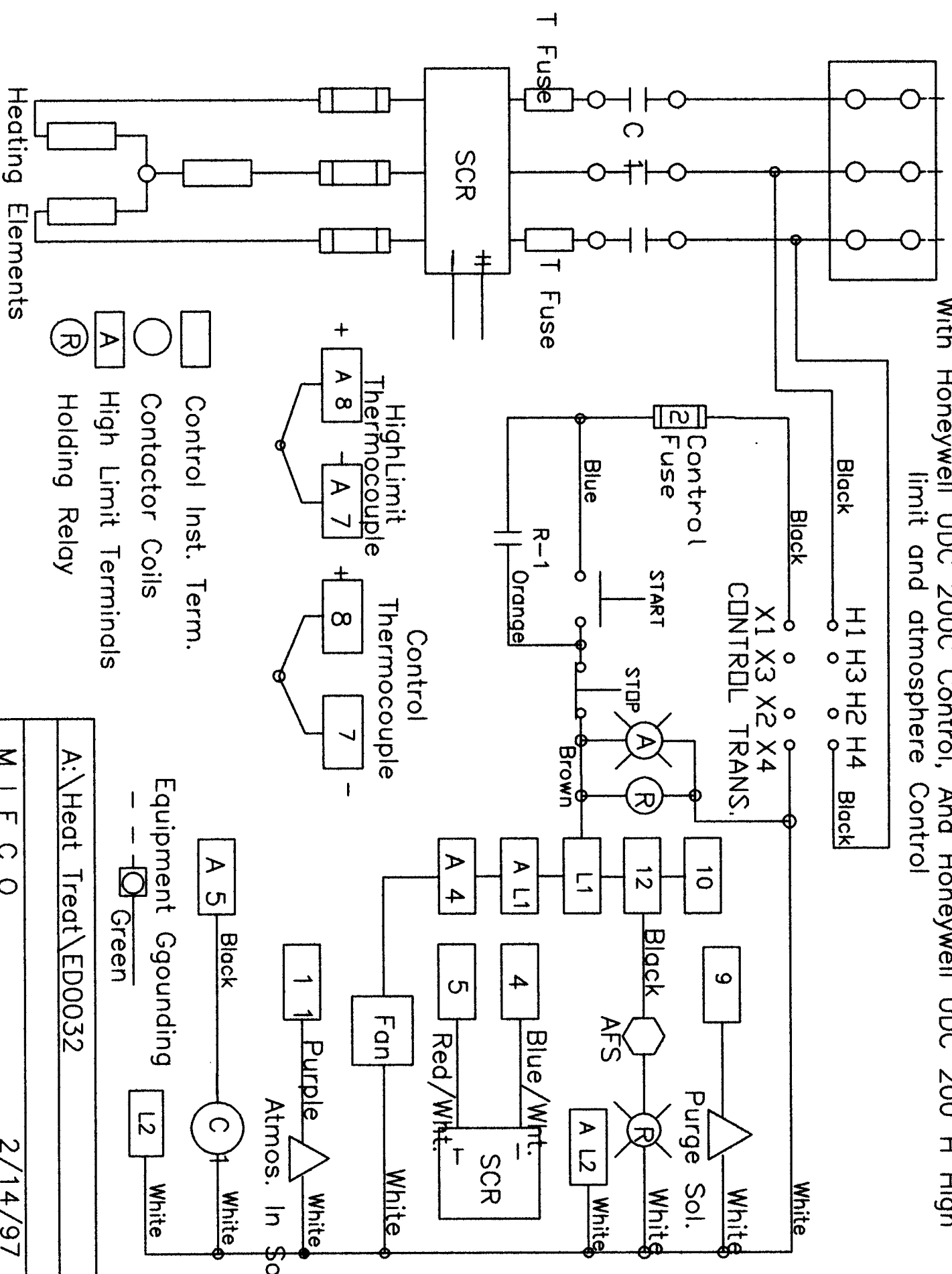


230/460 V--- 3 Ph.---60 Hz.

HTE 812 1 / HTE 1214 1
 With Honeywell UDC 200C Control, And Honeywell UDC 200 H High
 limit and atmosphere Control



- Control Inst. Term.
- Contactor Coils
- High Limit Terminals
- Holding Relay

Equipment Ggrounding
 --- Green

A:\Heat Treat\EDD0032

M I F C O

2/14/97