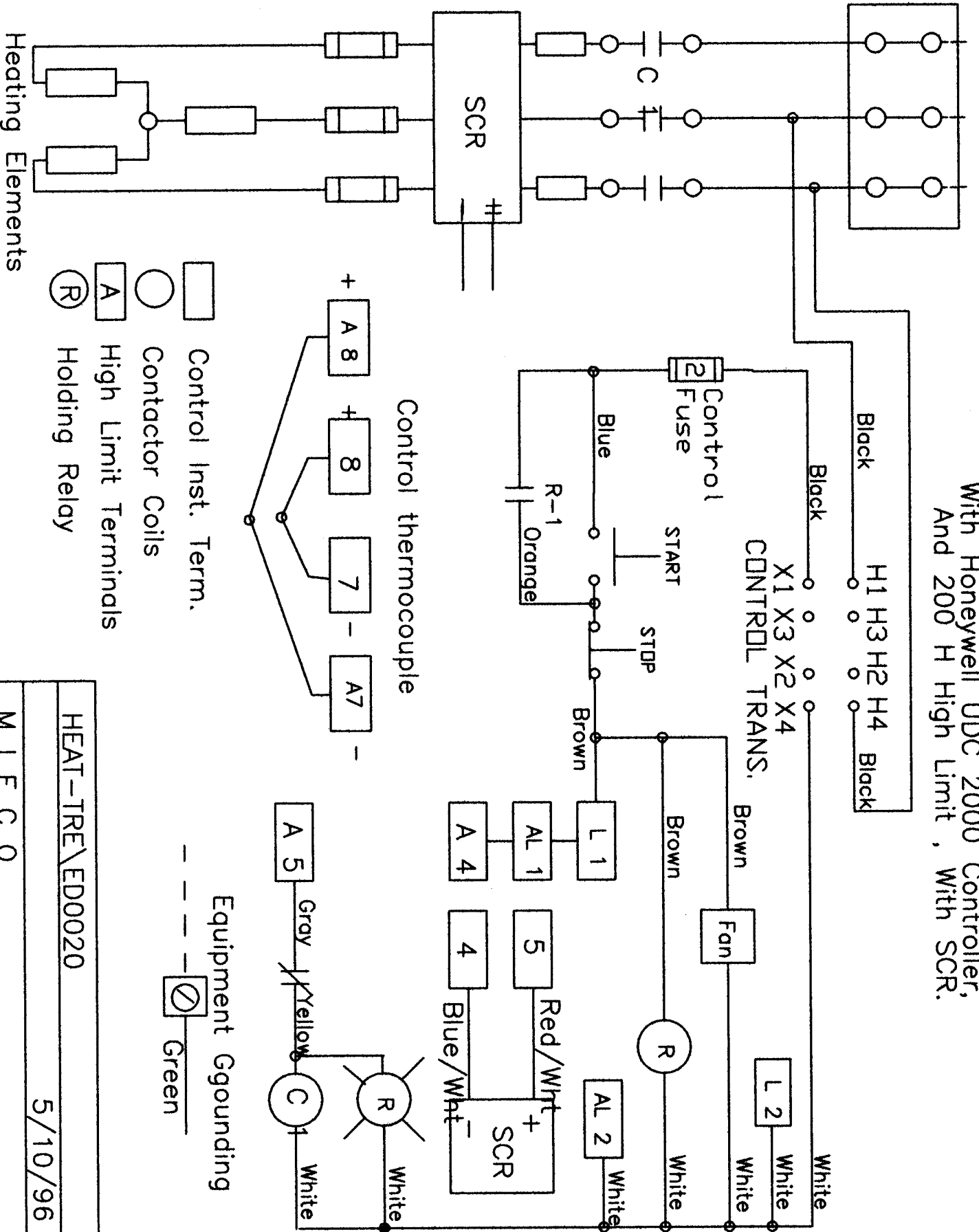


230/460 V--- 3 Ph.---60 Hz.

HTE 812 1 / HTE 1214 1 / HTE 1212 1  
 With Honeywell UDC 2000 Controller,  
 And 200 H High Limit , With SCR.



HEAT-TRE\ED0020  
 M I F C O  
 5/10/96