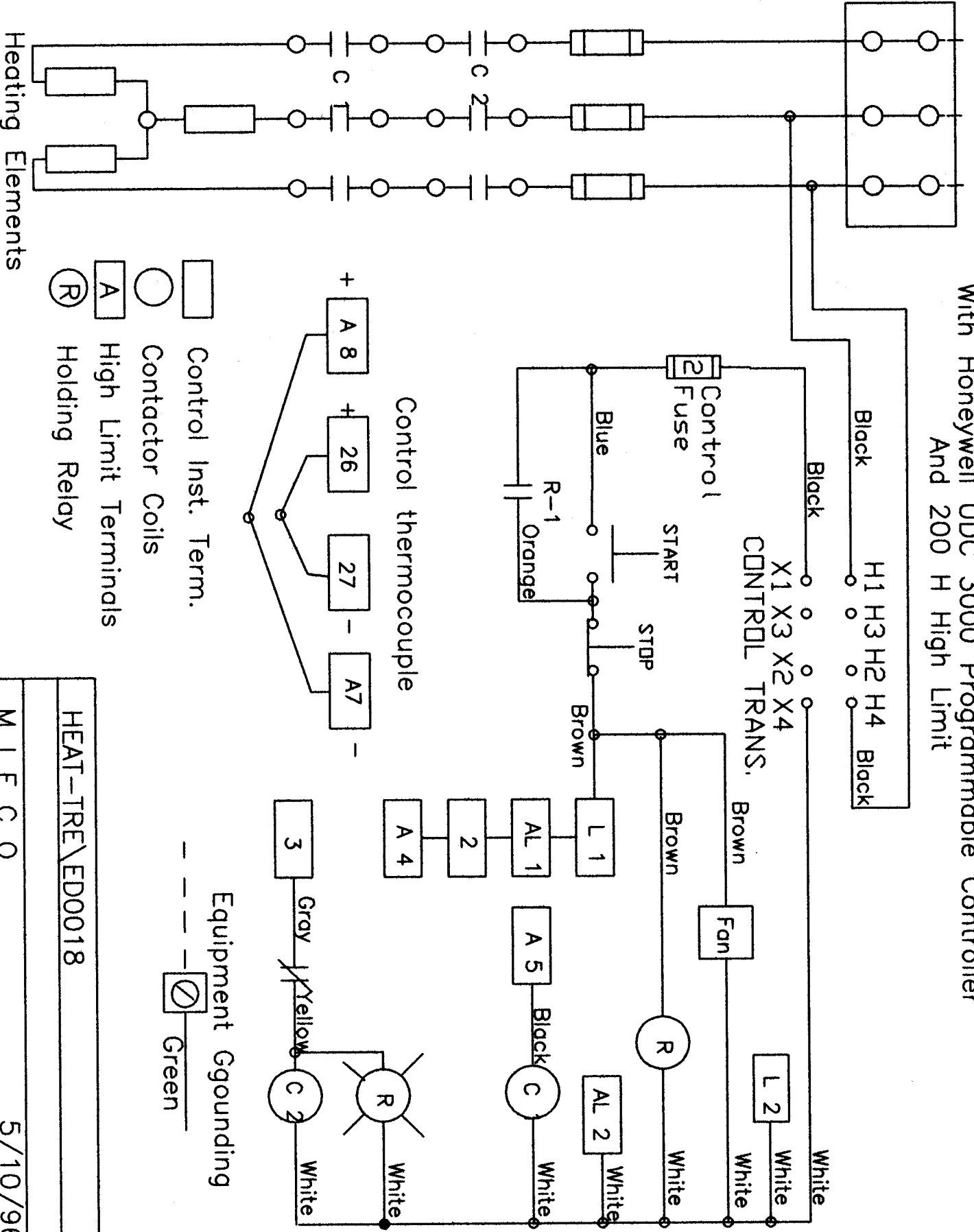


230/460 V--- 3 Ph.---60 Hz.

HTE 812 1 / HTE 1214 1
 With Honeywell UDC 3000 Programmable Controller
 And 200 H High Limit



- Control Inst. Term.
- Contactor Coils
- A High Limit Terminals
- Ⓡ R Holding Relay

Equipment Grounding
 --- Green

HEAT-TRE\ED0018
 M I F C O
 5/10/96