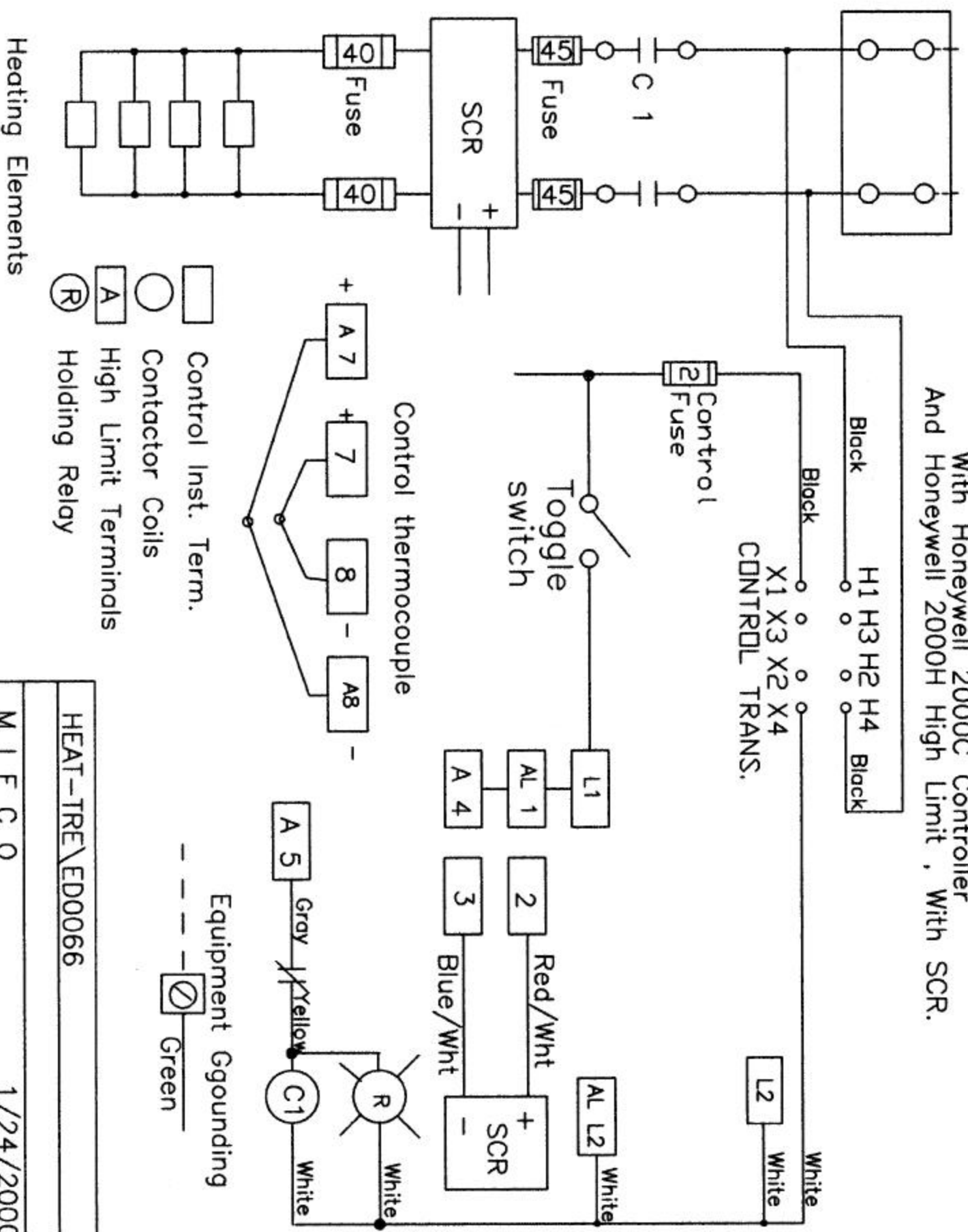


220 - 1 Ph. -- 60 Hz.

HTE 88 and HTE 1212  
 With Honeywell 2000C Controller  
 And Honeywell 2000H High Limit, With SCR.



- Control Inst. Term.
- Contactor Coils
- A High Limit Terminals
- Ⓡ R Holding Relay

Equipment Grounding  
 --- Green

HEAT-TRE\ED0066
M I F C O
1/24/2000