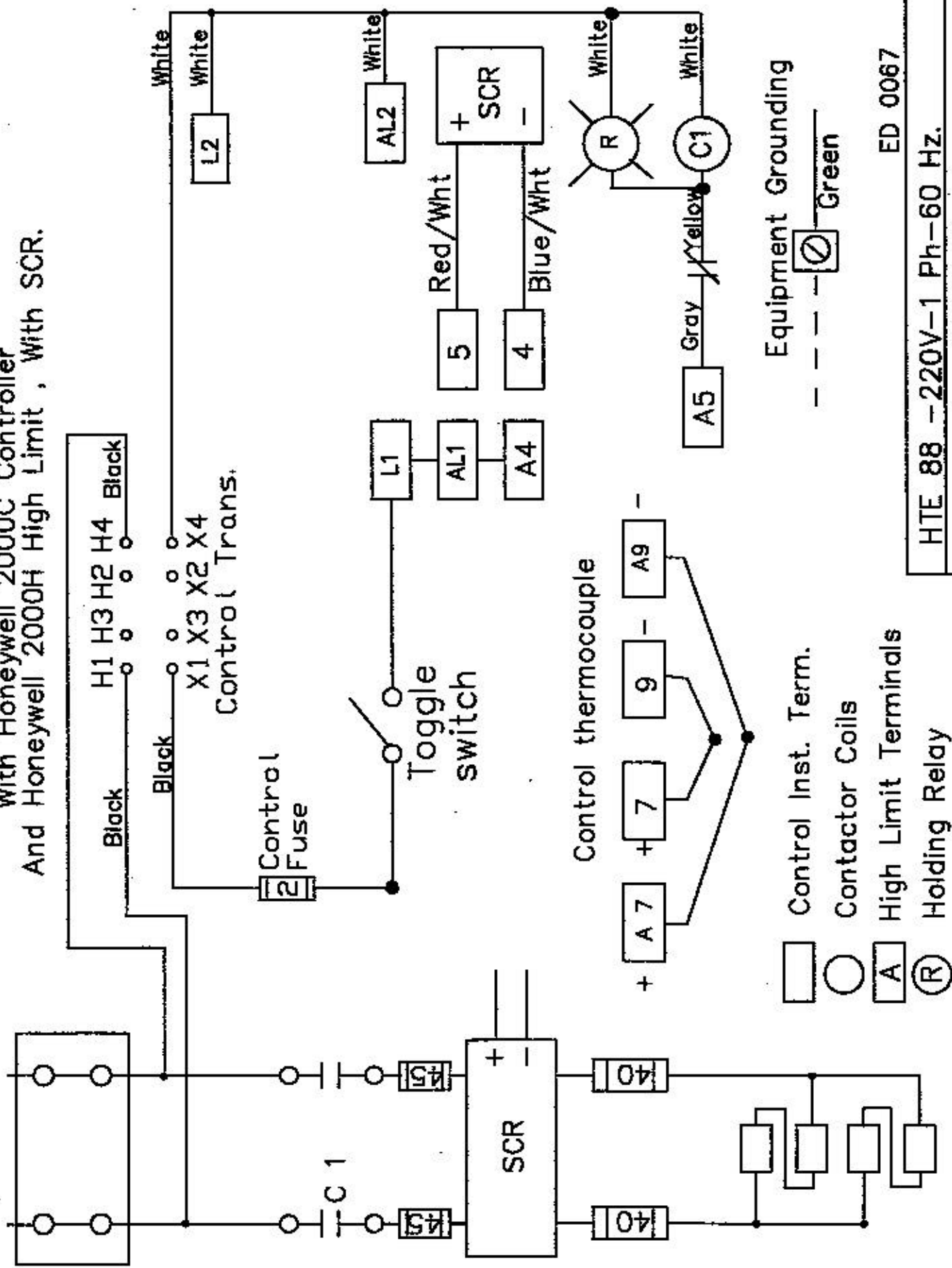


220 - 1 Ph. --- 60 Hz.

HTE 88

With Honeywell 2000C Controller  
And Honeywell 2000H High Limit, With SCR.



- Control Inst. Term.
- Contactor Coils
- High Limit Terminals
- Holding Relay

- Equipment Grounding
- Green

HTE 88 - 220V-1 Ph-60 Hz.

Heating Elements

M I F C O

2/77/2000

ED 0067