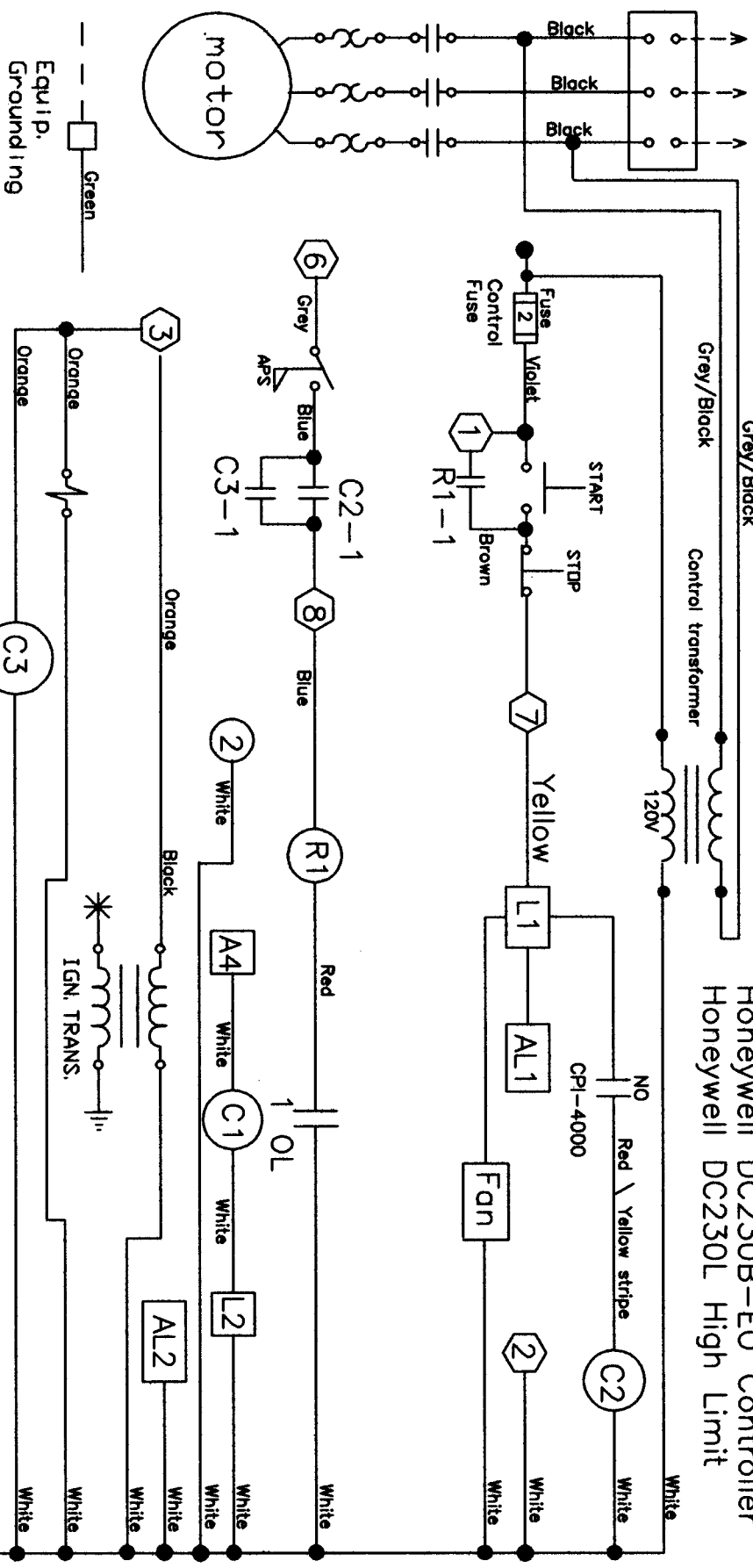


# COMBUSTION SAFEGUARD SYSTEM

## NUMBER 6

With proof of closure switch.  
 Fireye MC 120  
 Honeywell DC230B-E0 Controller  
 Honeywell DC230L High Limit

POWER BLOCK  
 230 V \ 3 Ph \ 60 Hz



- AL1 High limit term.
- Temp. control term.
- Flame safety term.
- Contactors coils
- Pilot lights
- PGS PilotGas Solenoid
- APS Air Pressure Switch
- 1 OL Air Pres. Switch
- R1 Blower Contactor

- FGS THERMOCOUPLE**
- A8 8
  - A7 7
  - S1 Black UV SCANNER
  - S2 Black UV SCANNER
  - C Motor Contactor Coil
  - R-1, R-2 Relay Contacts
  - MGS Main Gas Solenoid

