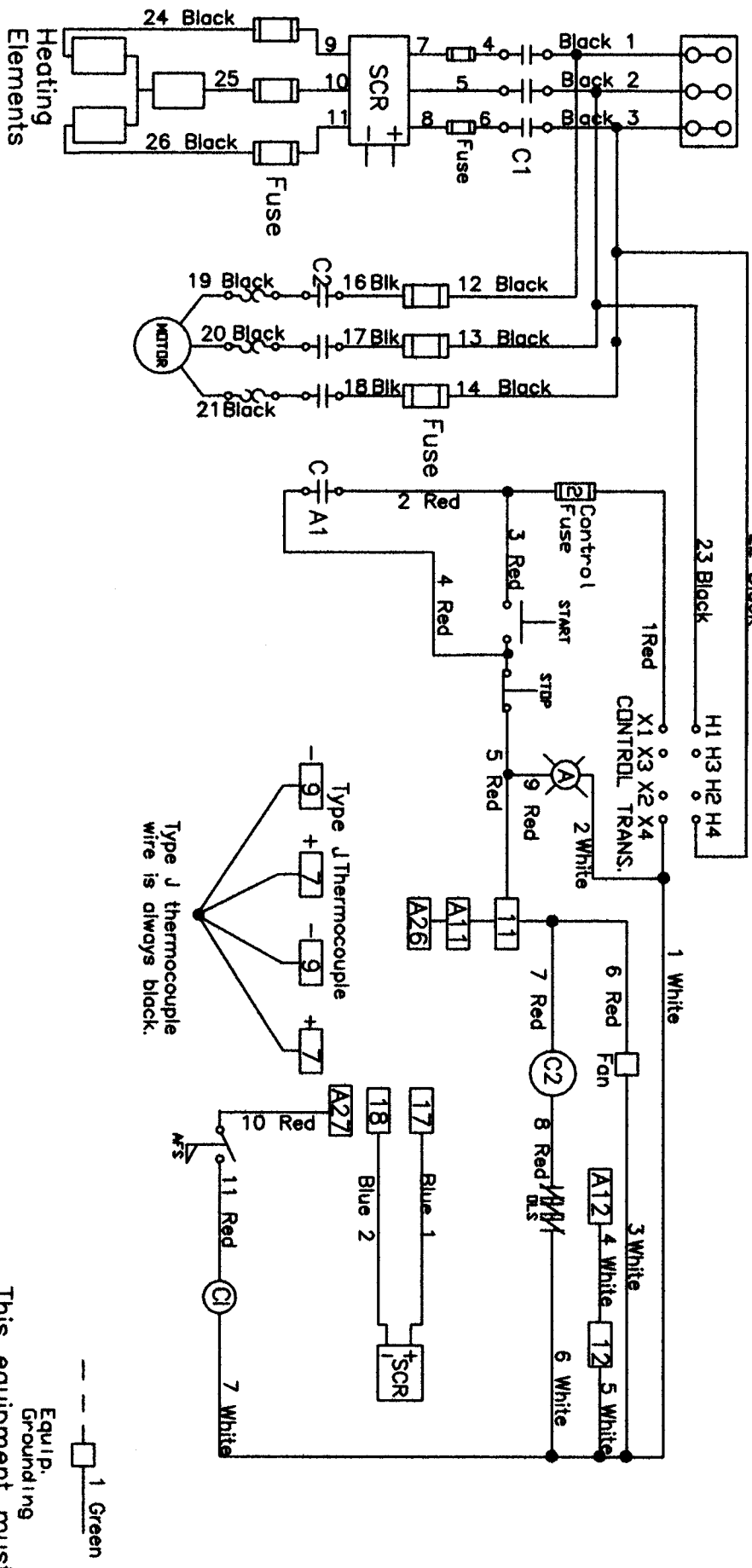


Power Supply
 230V / 460V
 3 Ph / 60 Hz

LTE 1824-LTE 1830 IND. UNIT

Watlow 942 Controller And Watlow 945 High Limit
 WATLOW DIN-A-MITE SCR



- Control Inst. Terminals
- High Limit Cont. Term.
- Contactor Coils
- Inst. Cabinet Cooling Fan
- Afs Air Flow Switch

Black wire line voltage.
 Red wire control voltage (less than line voltage)
 White wire neutral control wires
 Blue wire direct voltage.
 Green wire ground only.

Equip. Grounding
 This equipment must be grounded to operate properly and to prevent exposure to electrical shock.

LTE 1824--LTE 1830
Wiring diagram
M I F C O
6/21/96

ED 0065