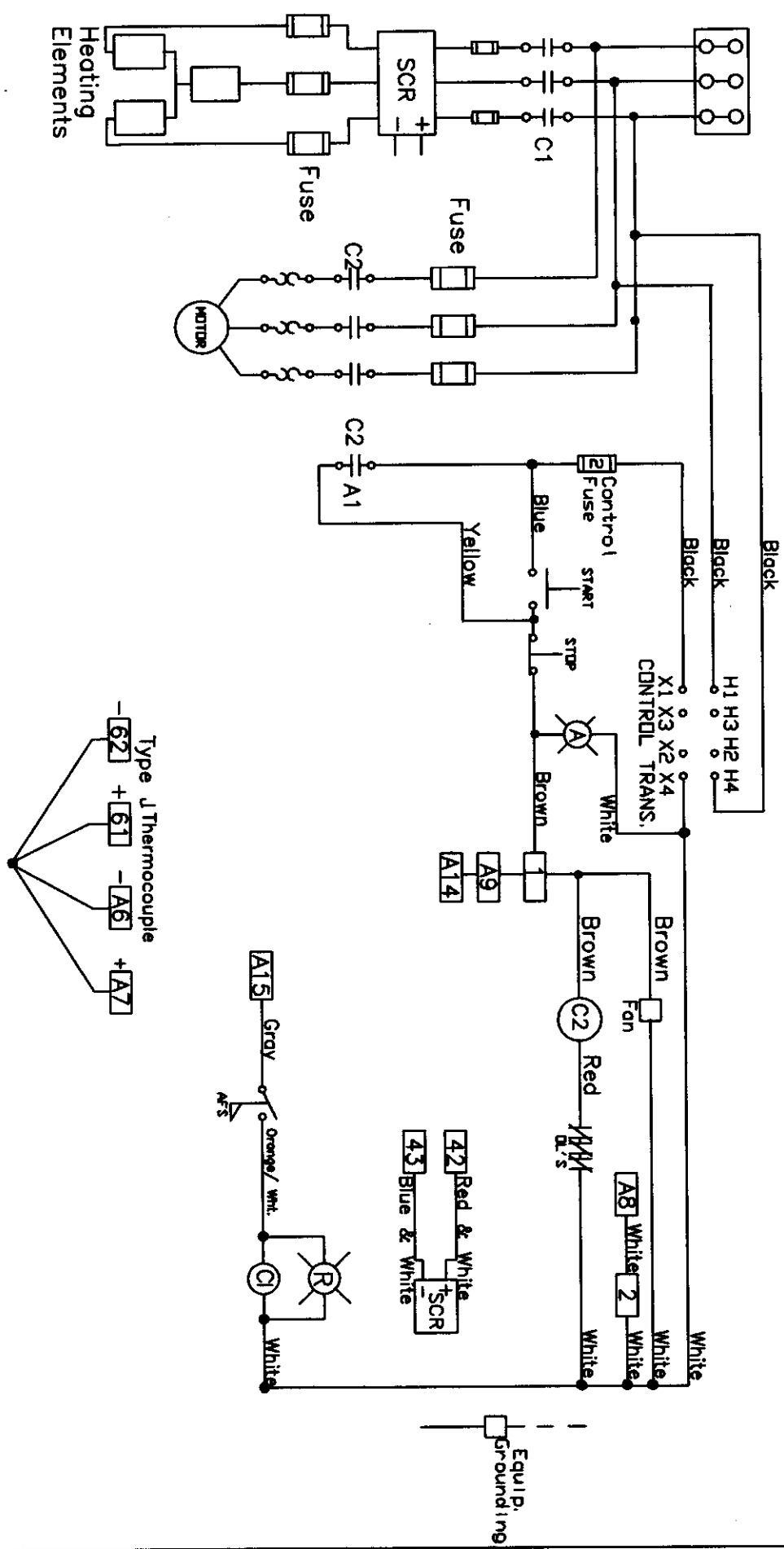


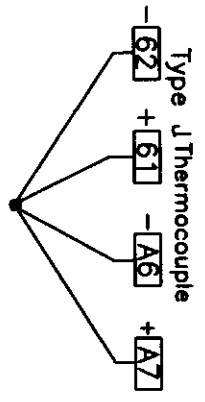
Power Supply
 230V / 460V
 3 Ph / 60 Hz

LT 1824-LT 1830

Watlow F4 Controller and Series 97 High Limit



- Control Inst. Terminals
- High Limit Cont. Term.
- Contactor Coils
- Inst. Cabinet Cooling Fan
- Afs Air Flow Switch



HEAT TREAT - ED0102

LT 1824--LT 1830
LT 1824--LT 1830
M I F C O
3/11/02