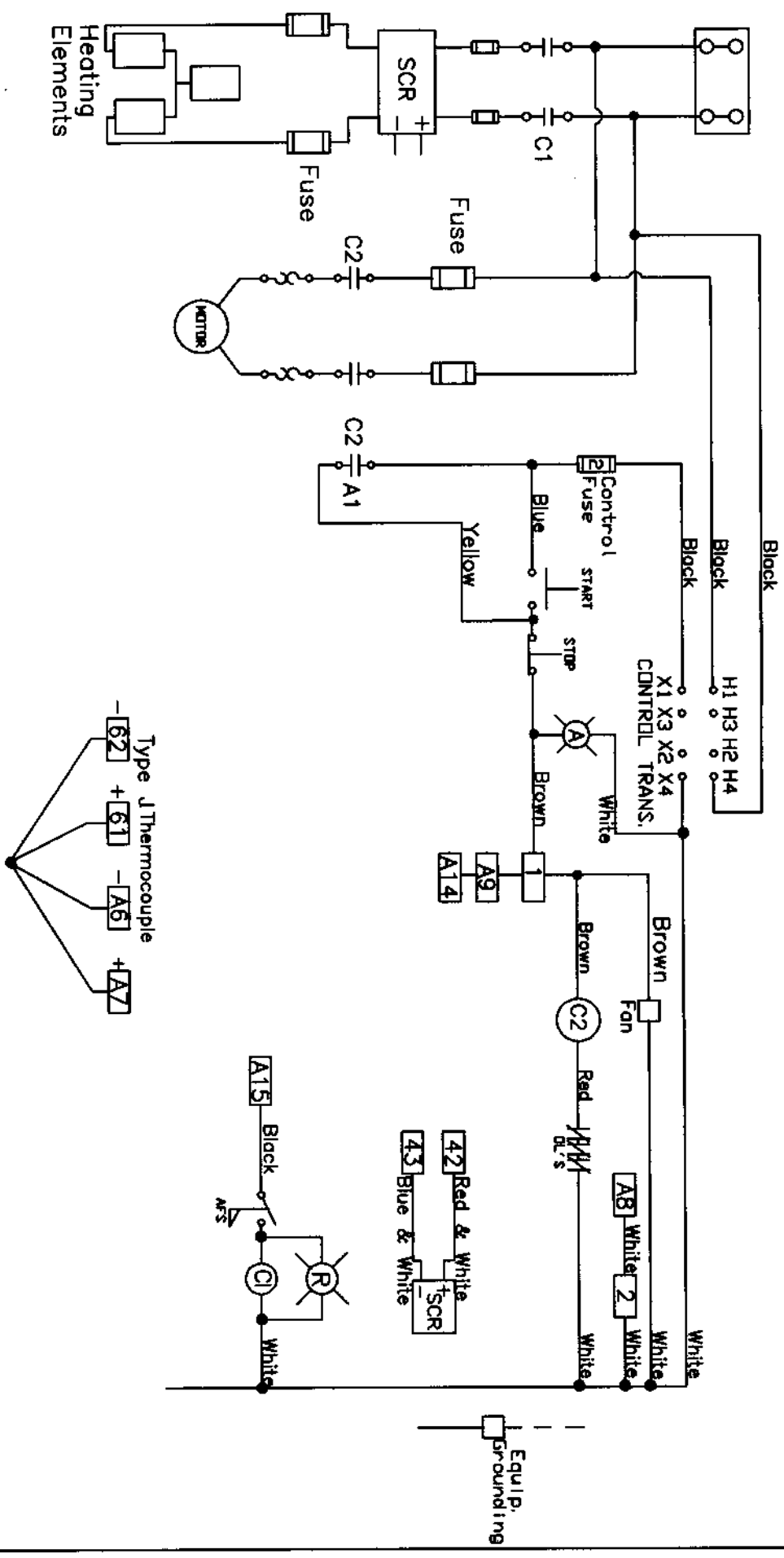


Power Supply
240 V
1 Ph / 60 Hz

LT 1824-LT 1830

Watlow F4 Controller and Series 97 High Limit



- Control Inst. Terminals
- High Limit Cont. Term.
- Contactor Coils
- Inst. Cabinet Cooling Fan
- Afs Air Flow Switch

HEAT TREAT - ED0110

LT 1824--LT 1830

M I F C O

3/11/02