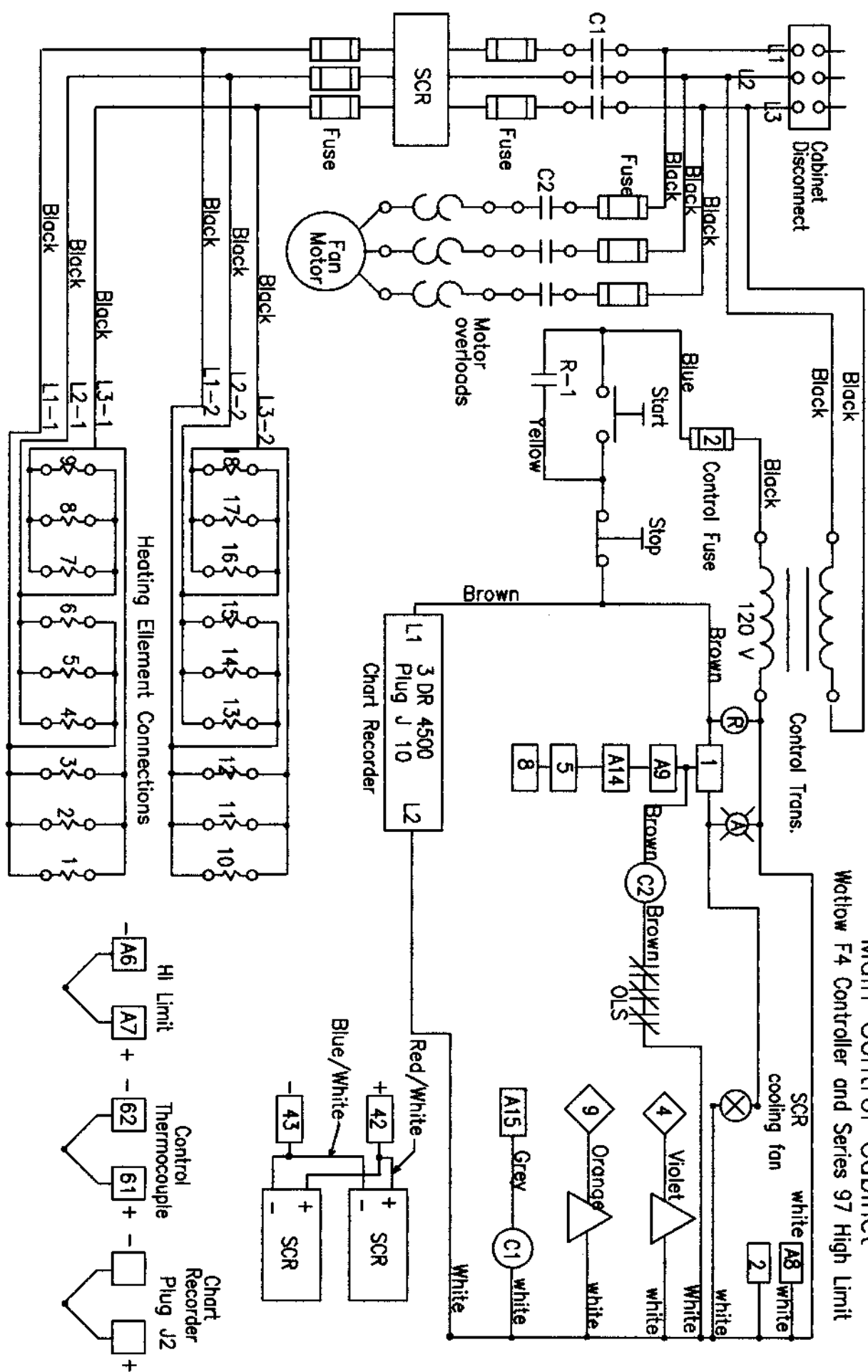


240/480 V, 3 Ph, 60 Hz.

LTE 2424-36-1

Main Control Cabinet

Wotlow F4 Controller and Series 97 High Limit



- A- Contacts for high limit inst.
- A- Contacts for control inst.
- A Control indicator lights
- C Contactor coils
- Door lift sol.

This furnace must be grounded for proper operation and to prevent harm from elect. shock.

HEAT TREAT - ED-0116	
LTE 2424-36-A-1	Wiring diagram main control cabinet
M I F C O	3/12/02