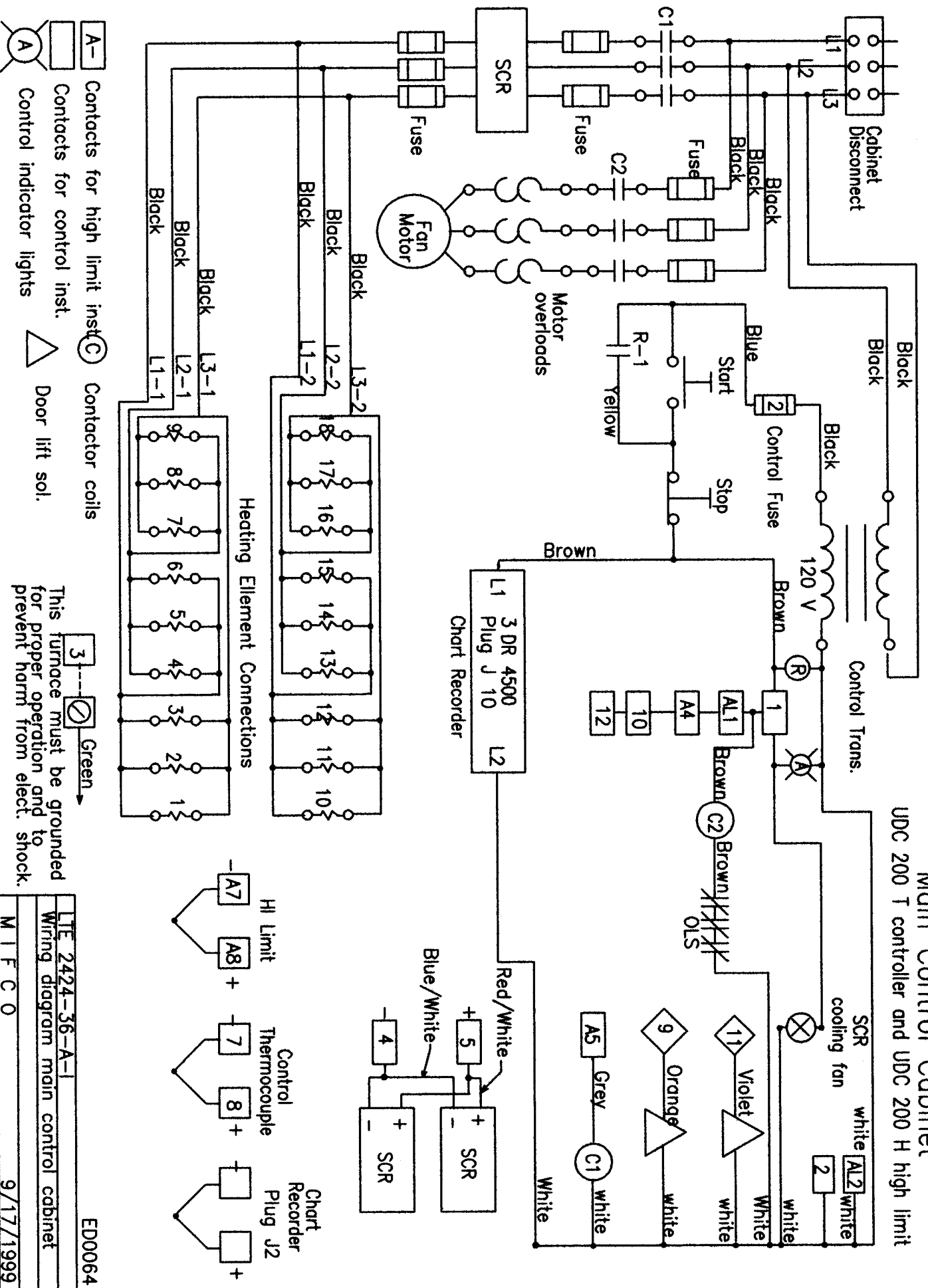


230 V, 3 Ph, 60 Hz.  
200 Amp.

LTE 2424-36-1  
Main Control Cabinet  
UDC 200 T controller and UDC 200 H high limit



- A- Contacts for high limit inst.
- A- Contacts for control inst.
- A Control indicator lights
- C Contactor coils
- Door lift sol.

This furnace must be grounded for proper operation and to prevent harm from elect. shock.

LTE 2424-36-A-1	ED0064
Wiring diagram main control cabinet	
M I F C O	
9/17/1999	