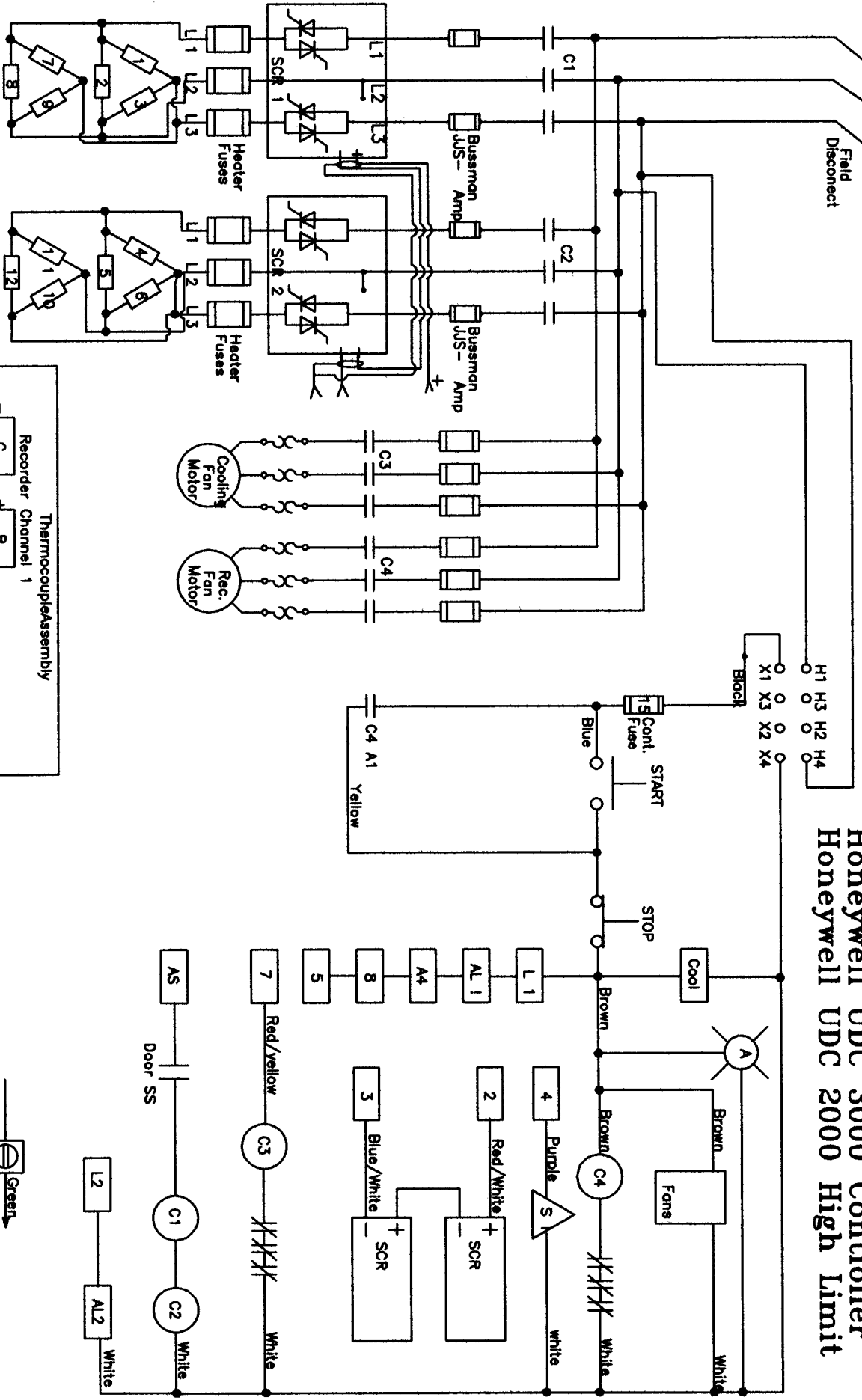


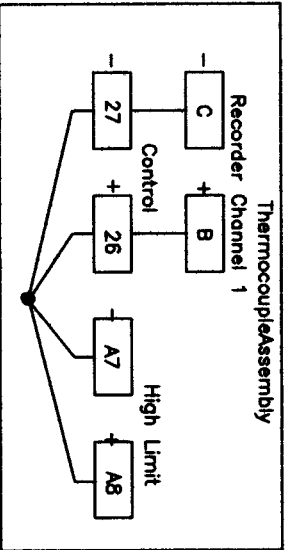
480V, 3 Ph, 60 Hz.
L1 L2 L3

Heat Treat Furnace With Atmosphere

Honeywell UDC 3000 Controller
Honeywell UDC 2000 High Limit



- B2** Bearing Temp. Control
- A** Control Inst. Terminal
- A** High Limit Inst. Terminal
- C** Contactor Coils
- F** Instrument Cabinet Cooling
- SI** Atmosphere Solenoid
- WS** Bearing Solenoid



Key Bellevilles Inc
Wiring Diagram
M I F C O
7/10/1999

A:\ED0035