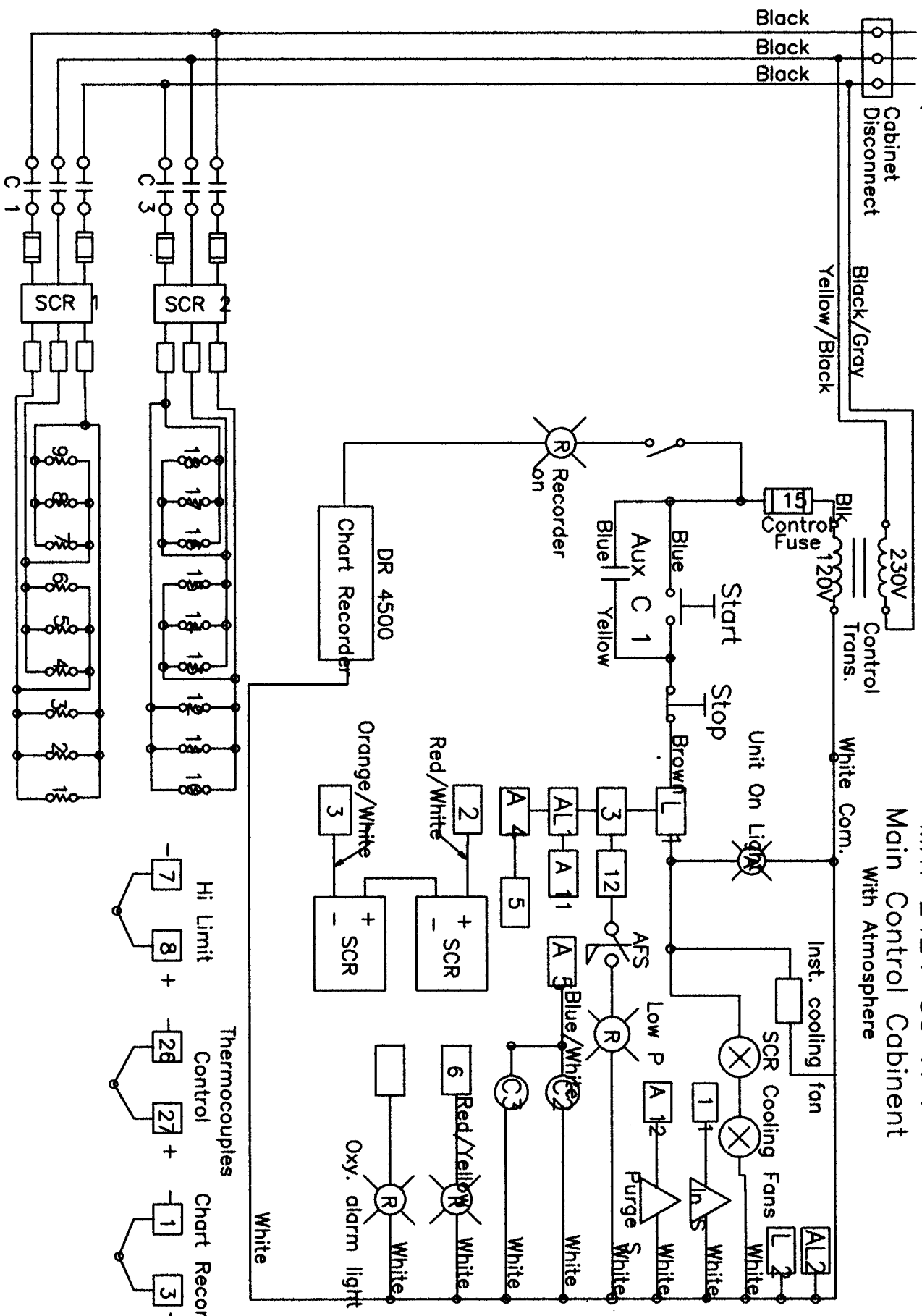


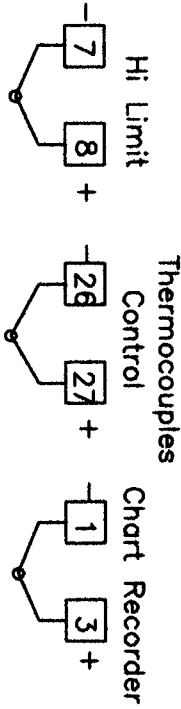
230 V, 3 Ph., 60 Hz.
200 Amp.

MHT 2424-36-A-1
Main Control Cabinet
With Atmosphere



- A- High Limit Term. UDC 2000
- C Contactor Coils
- A Indicator Lights
- C Contactor Coils
- A Cont Terminals BC 3000

This Furnace Must
Be Grounded To Prevent
Harm From Electric
Shock!!!



A:/ED0057A	
MTE 2424-36-A-1	Wiring Diagram Main Control Cabinet
M I F C O	9/15/97