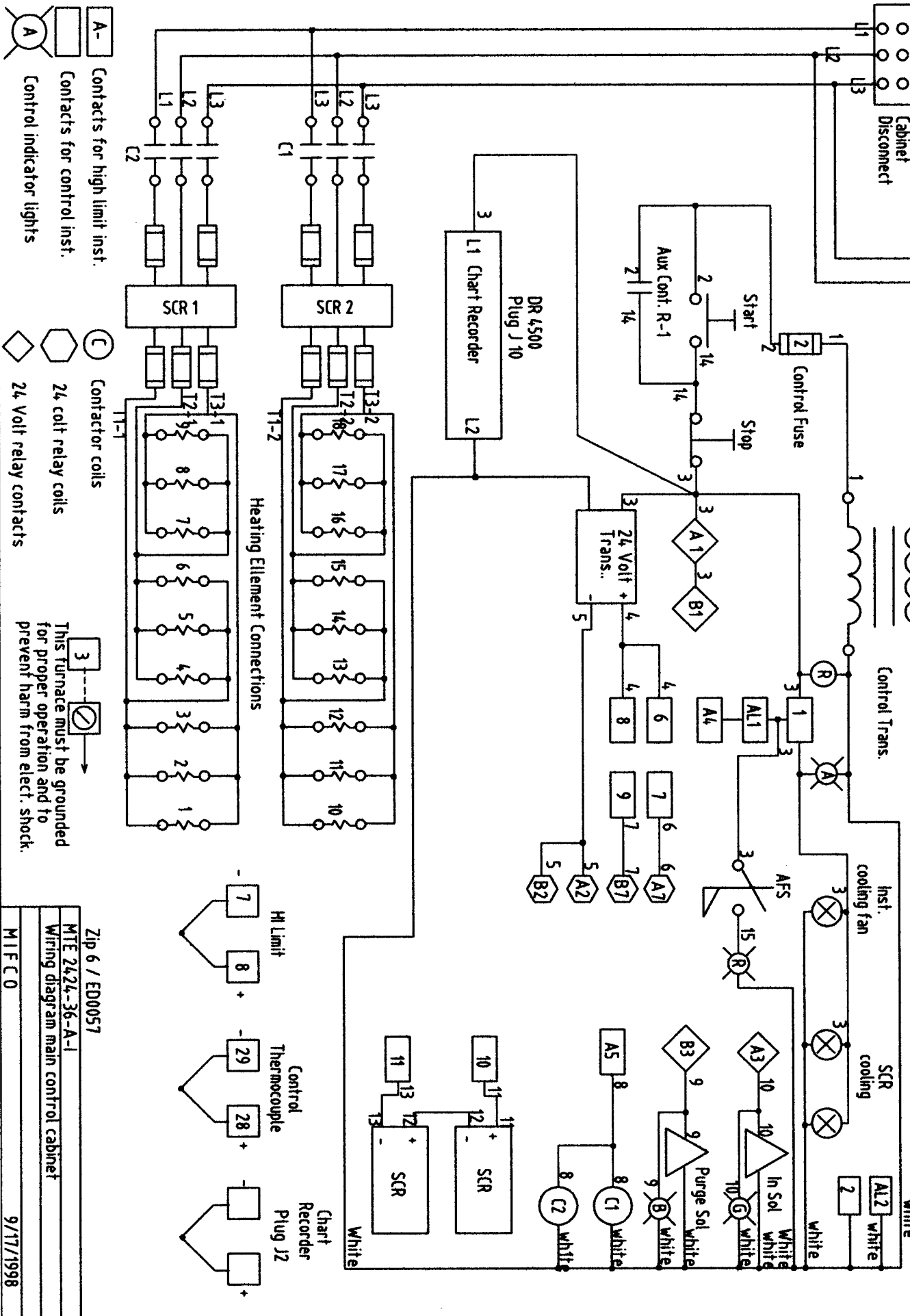


230 V, 3 Ph, 60 Hz.
200 Amp.

MTE 2424-36-A-1

Main Control Cabinet With Atmosphere



A- Contacts for high limit inst.
A- Contacts for control inst.
A Control indicator lights

C Contactor coils
C 24 volt relay coils
C 24 Volt relay contacts

This Turnace must be grounded for proper operation and to prevent harm from elect. shock.

Zip 6 / ED0057
MTE 2424-36-A-1
Wiring diagram main control cabinet
MIFCO
9/17/1998