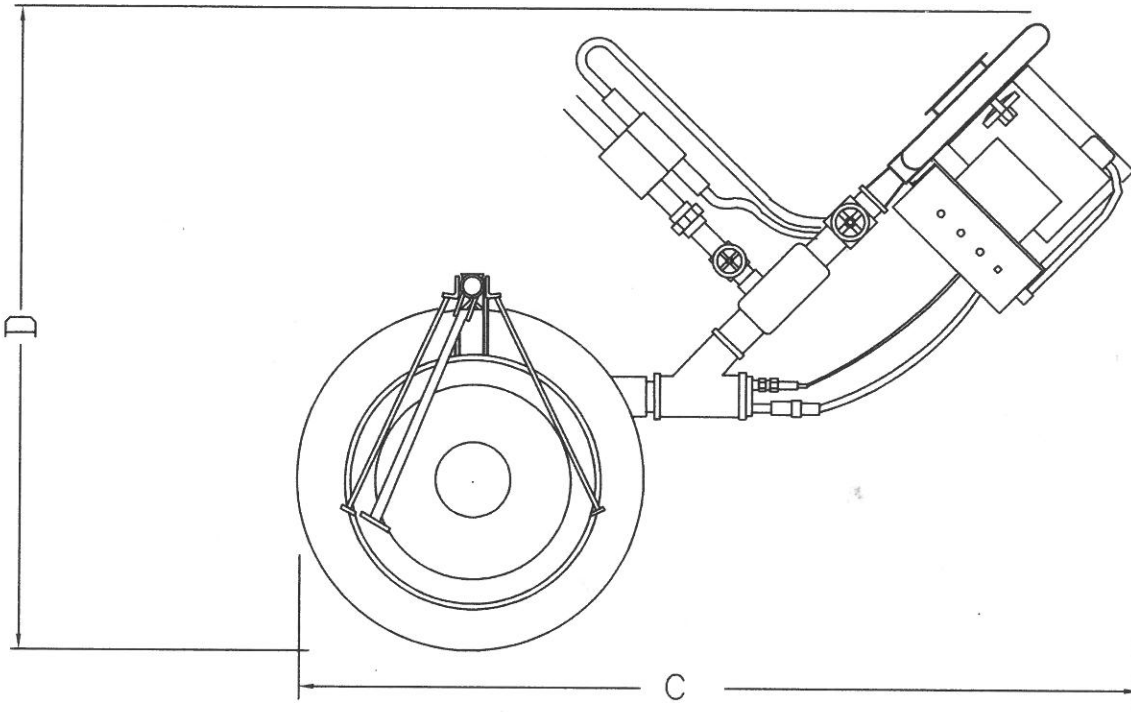


HIGH SPEED MELTER MODEL B-160



| Model | Dia. | Depth | A | B | C | D |
|-------|------|-------|-----|-----|-----|-----|
| B160 | 10" | 12" | 20" | 31" | 57" | 50" |

