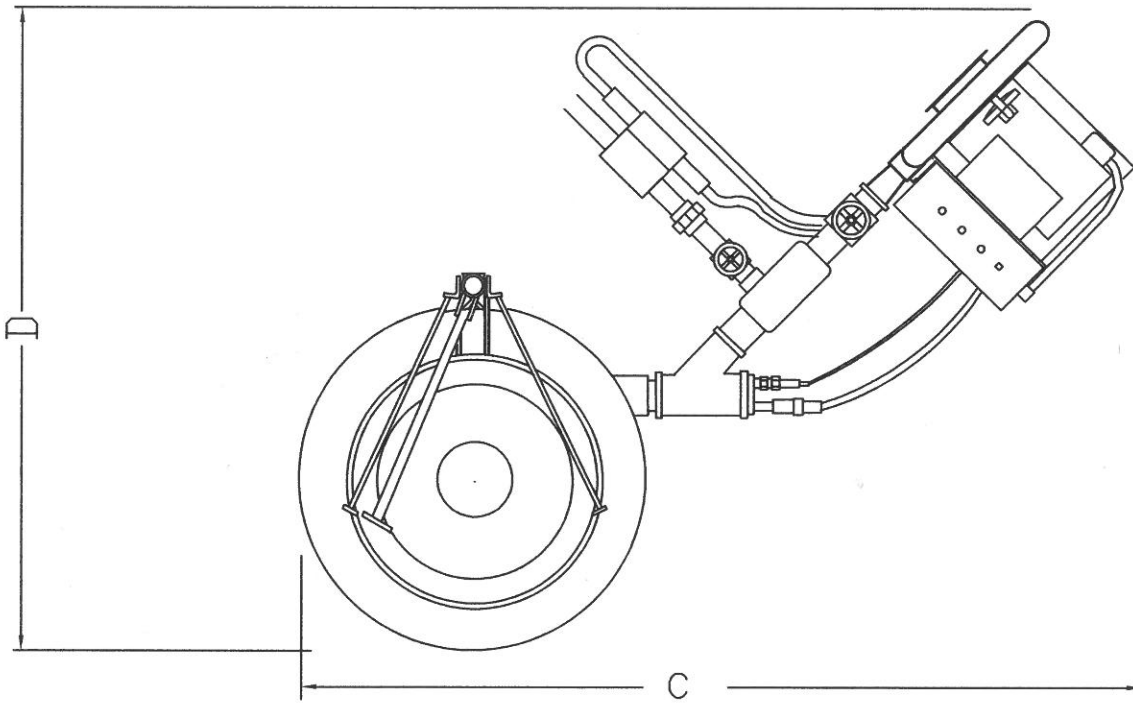


# HIGH SPEED MELTER MODEL B-160



Model	Dia.	Depth	A	B	C	D
B160	10"	12"	20"	31"	55"	50"

