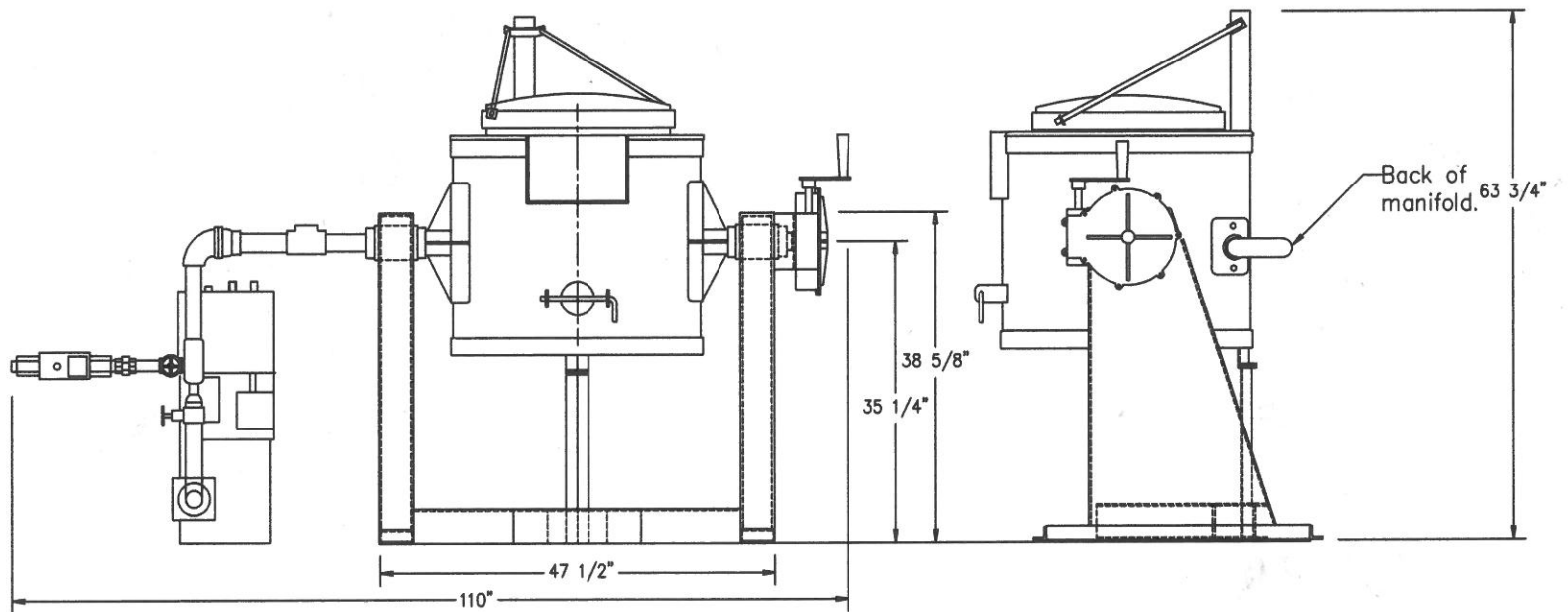


Back of manifold
when rotated 50 1/4"
high from the floor.



102652 Drawn By Bill Walter

T-80 Tilting Melter Single Burner
Line Drawing

M I F C O 6/19/2019