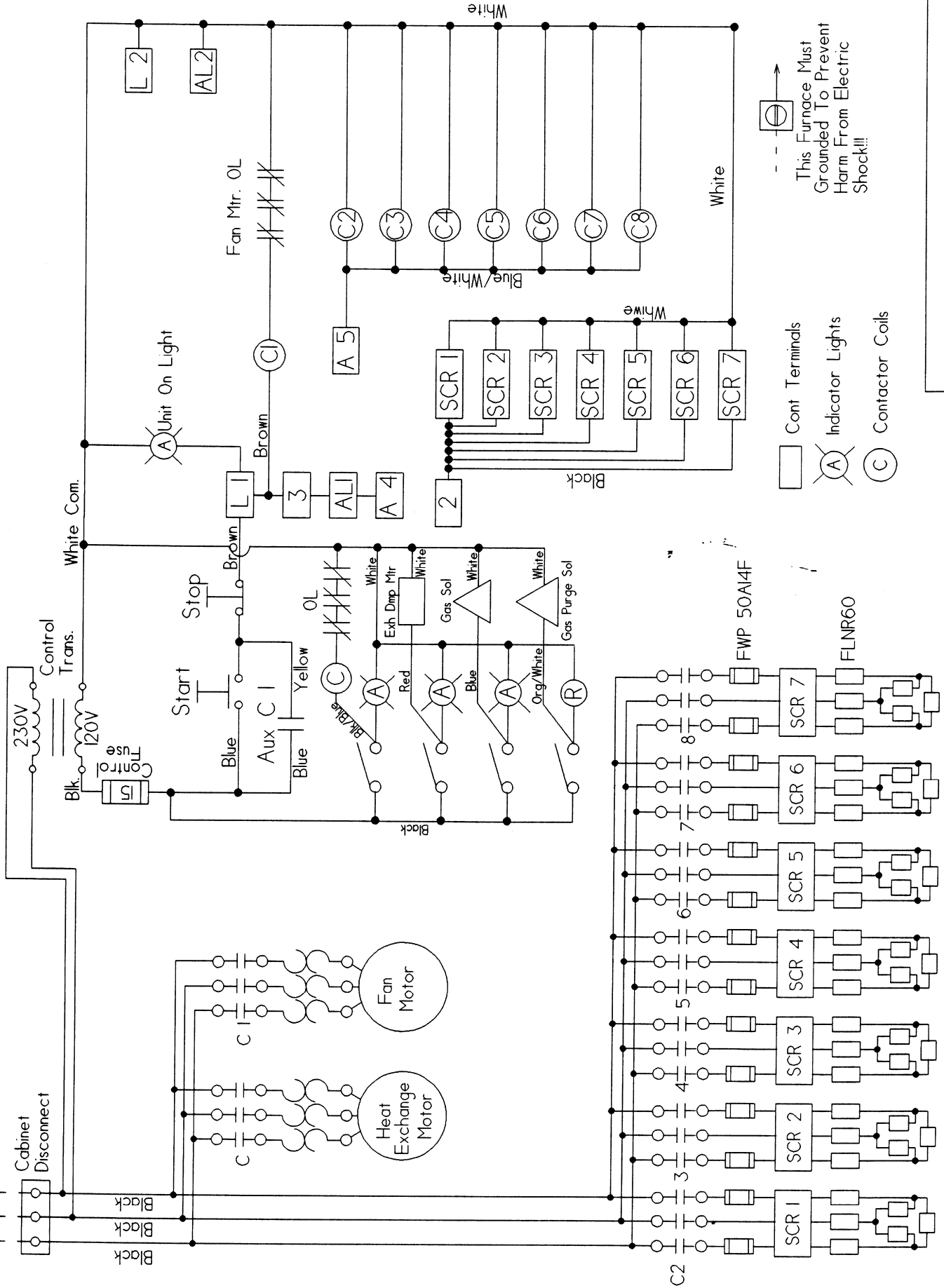


230 V 3 Ph .60 Hz.
200 Amp.



Heating Elements Delta Connection

This Furnace Must Be Grounded To Prevent Harm From Electric Shock!!

- Cont Terminals
- ⊗ Indicator Lights
- ⊙ Contactor Coils

Wiring Diagram Main Control Cabinet

M I F C O

9/15/97